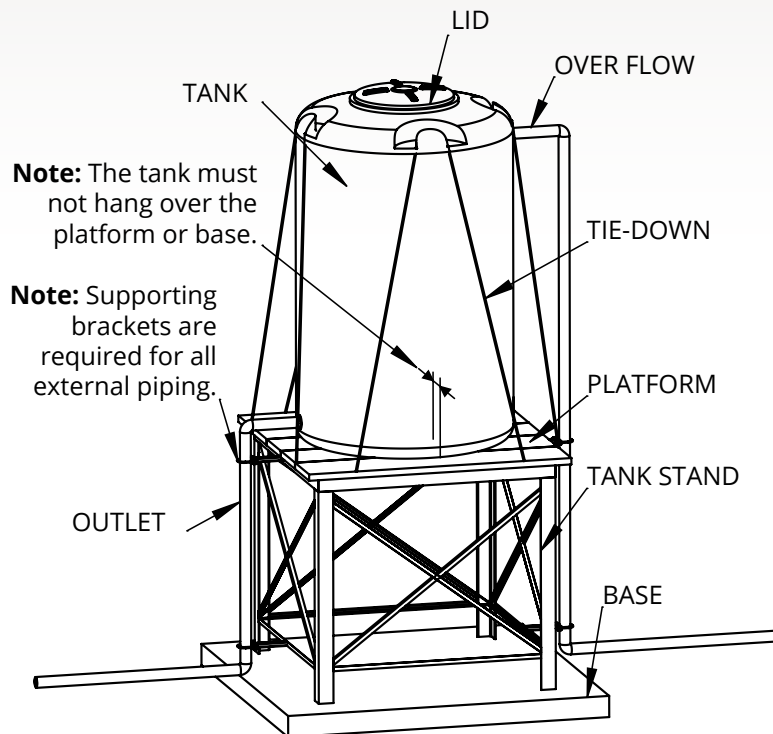


# HERO ROTO


Where plastic comes to reach its full potential.


## Vertical Tank INSTALLATION GUIDE



### How to install a HERO ROTO Tank:

- 1) A level surface is required, both on the platform and the base.
- 2) The platform and or base must be level, firm and free of any sharp objects.
- 3) The tank should be correctly secured, using the tie-down areas provided.
- 4) The fittings need to be tightened properly using adequate thread tape. Do not over tighten, this could cause the inner seal to twist and cause leaking.
- 5) The inlet and outlet piping needs to be properly supported & secured to prevent excessive movement and ensure minimal force on the tank.
- 6) The lid must be attached correctly to prevent light from getting into the tank.
- 7) Make sure the warranty is read carefully to ensure correct installation.

 [www.heroroto.co.za](http://www.heroroto.co.za)

 (011) 769 2738

Hero Rotomoulders does not accept responsibility for installation and structural costs in case of repair or replacement. All replacements / values are subject to a pro rata to a calculation, based on usage and remaining warranty period.