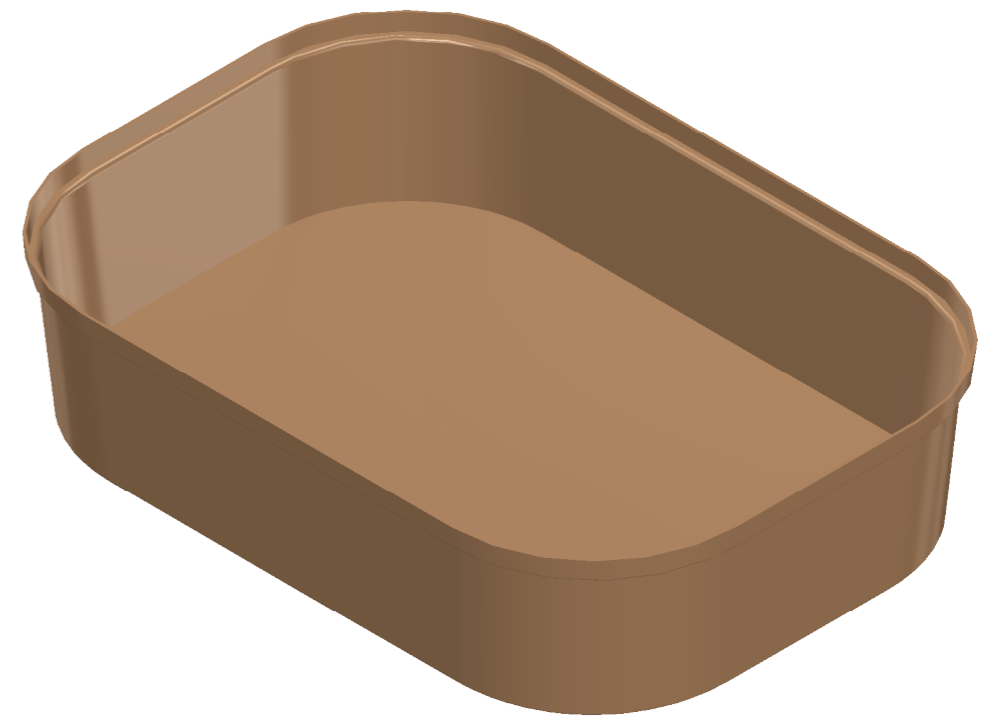
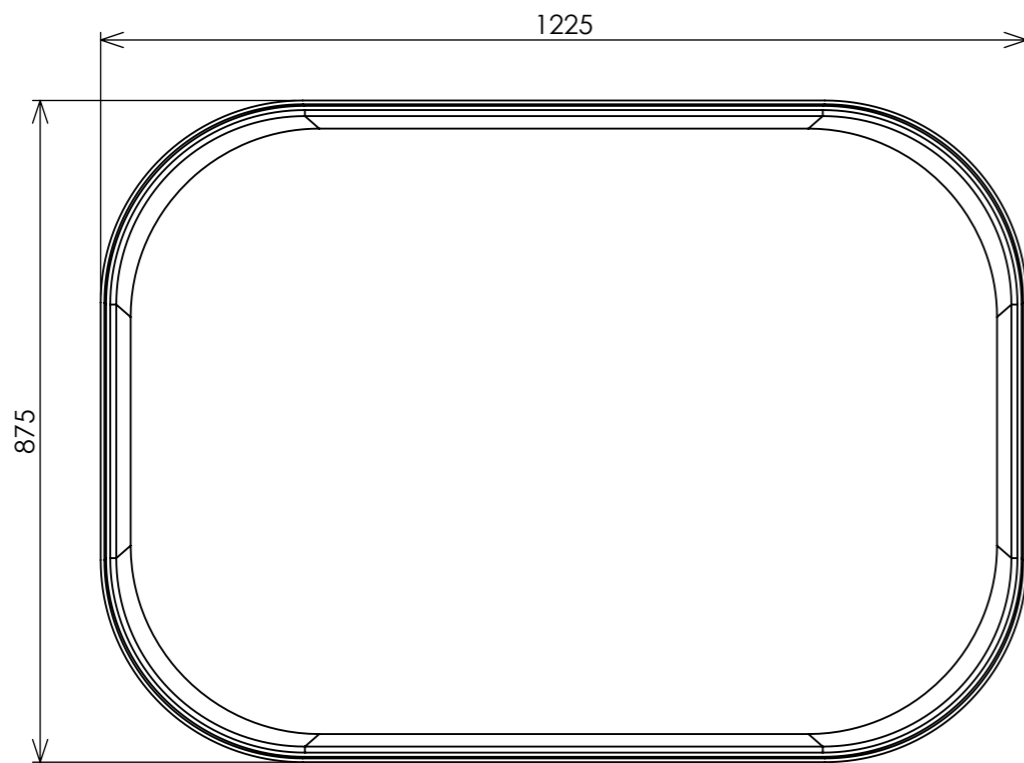


8 7 6 5 4 3 2 1

F

F



E

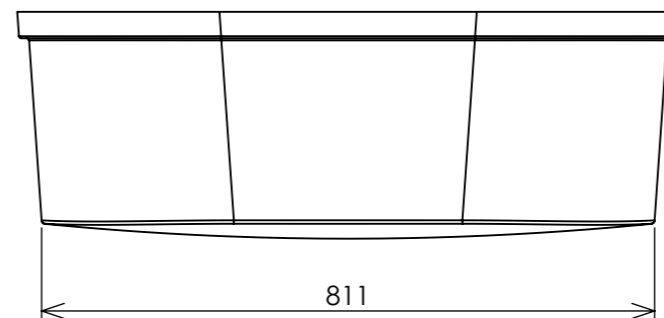
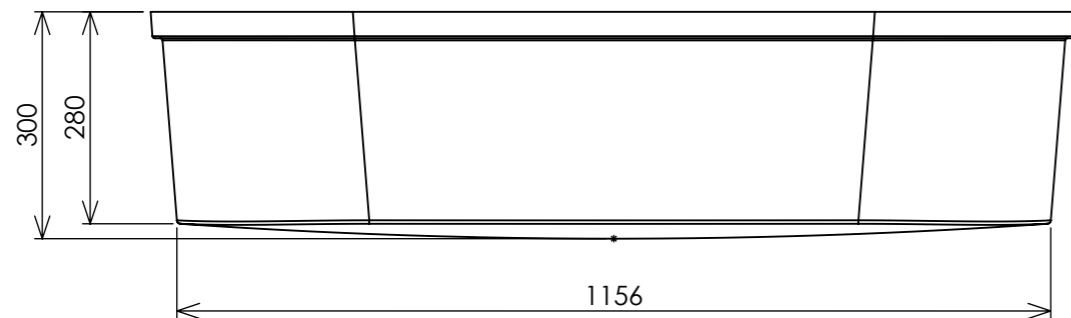
E

D

D

C

C



B

B

APPROVED		
DEPARTMENT	SIGNATURE	DATE

NOTES:

DESCRIPTION: Oval Pond

DRAWING NO.: Oval Pond

DATE MODIFIED: Thursday, 18 June 2020 09:48:58

	SIZE: A3	REVISION: 1	ALL DIMENSIONS IN MILLIMETERS
	SCALE: 1:10	SHEET: 1 OF 1	

**HERO** *Urban*

Address: 13 Pillans Street, Chamdor, Johannesburg, South Africa  
 Tel: +27(0) 11 769 2738  
 Email: orders@heroroto.co.za  
 Website: www.heroroto.co.za

A

A

8 7 6 5 4 3 2 1