

A

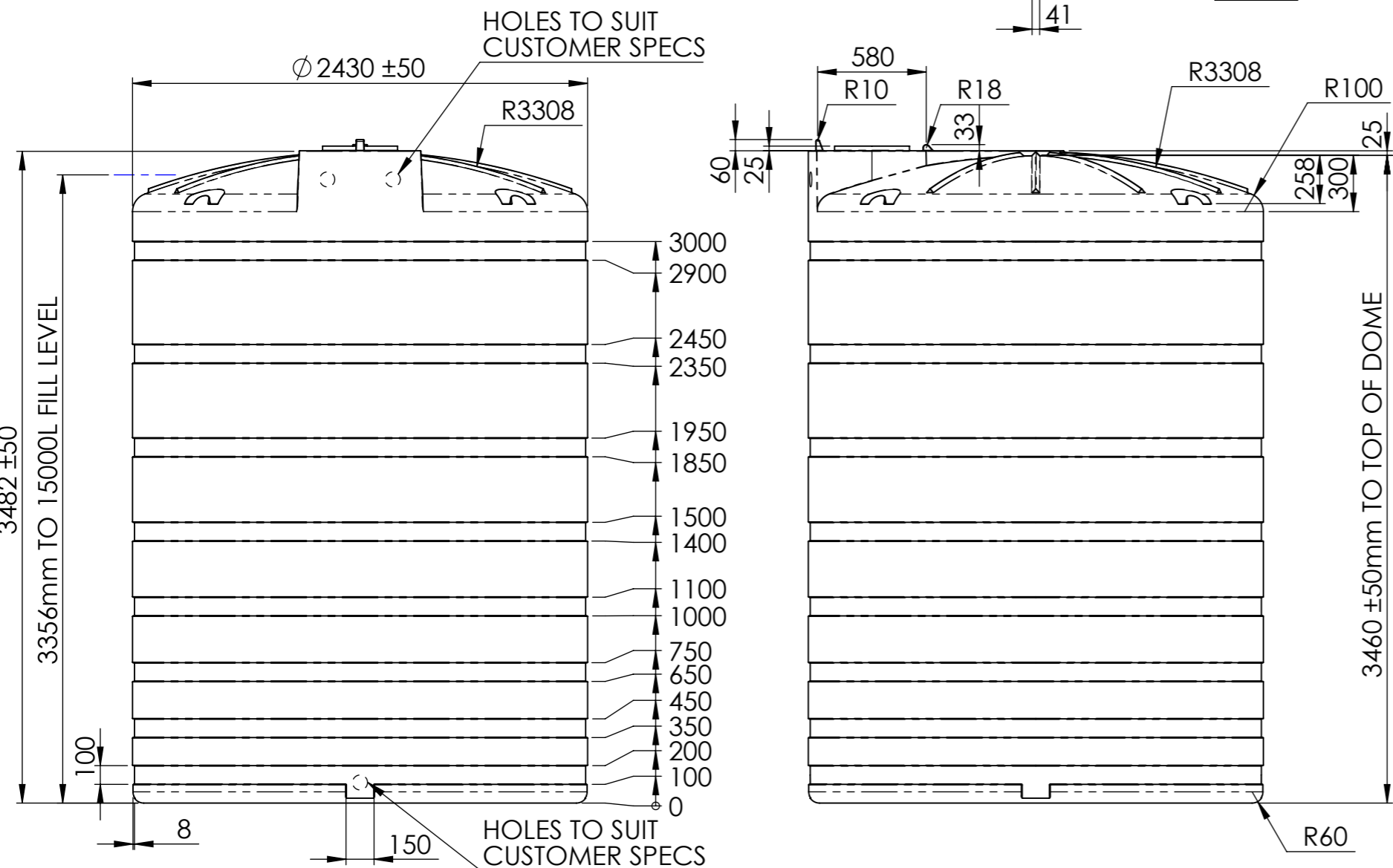
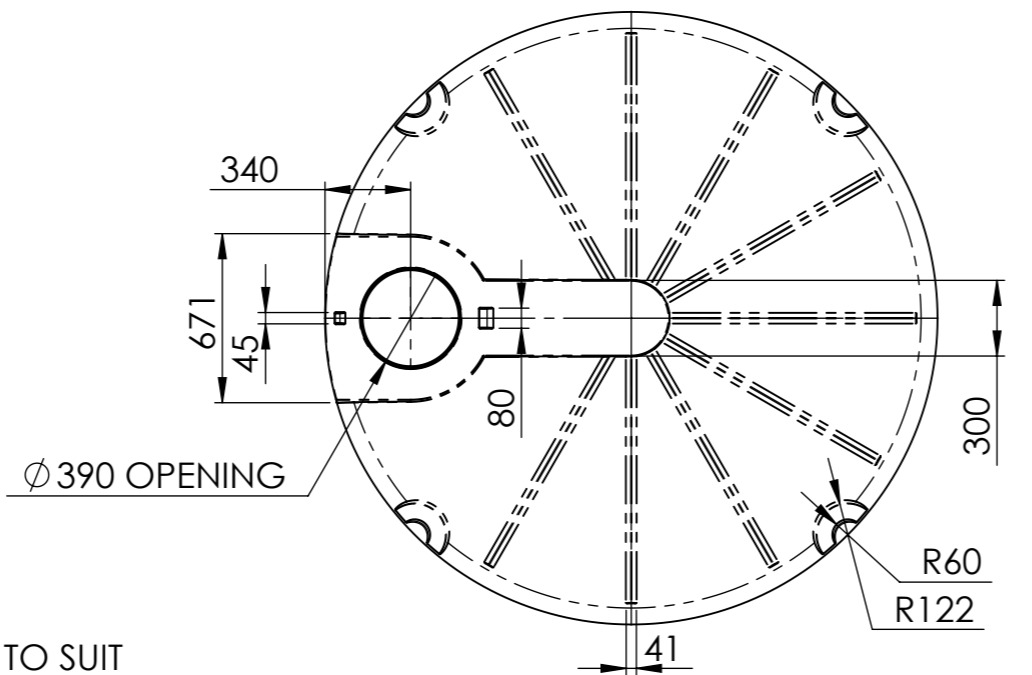
B

C

D

E

F



CAPACITY: 15 000L
 MATERIAL: LDPE
 UNIT WEIGHT: 313kg+/-5
 WALL THICKNESS: 9.5mm+/-2
 LITRES TO OULET: 15171L+/-50

THE INFORMATION CONTAINED IN THIS DRAWING IS THE SOLE PROPERTY OF THE DUYS ANY REPRODUCTION WITH OUT THE WRITTEN PERMISSION OF DUYS IS PROHIBITED IN TERMS OF THE COPY RIGHT ACT	NAME	SIGNATURE	REVISION	DATE:	NOTES: MATERIAL: LDPE WEIGHT: 313765.28g STOCK SIZE: 9.69mm Average	PART NO.	019-J001-P001
	DRAWN BY: Gary Bishop (072 620 7295)		1	2015/10/06		DESCRIPTION:	15 000L Tank
	APPROVED:					CONFIGURATION:	Product size
	CHECKED:					DRAWING NO.	019-J001-15000L vert tank
CAD GENERATED DRAWING, DO NOT MANUALLY UPDATE	IF IN DOUBT, CONSULT DRAWING DEPARTMENT	DO NOT SCALE OFF DRAWING	DIMENSIONS IN mm			THIRD ANGLE PROJECTION 	SIZE A3 SCALE:1:30 SHEET 1 OF 1
						Email: grant@heroroto.co.za Tell No.: 011 7692738 Fax No.: 011 7692742 Website: www.heroroto.co.za	

