

8 7 6 5 4 3 2 1

F

F

E

E

D

D

C

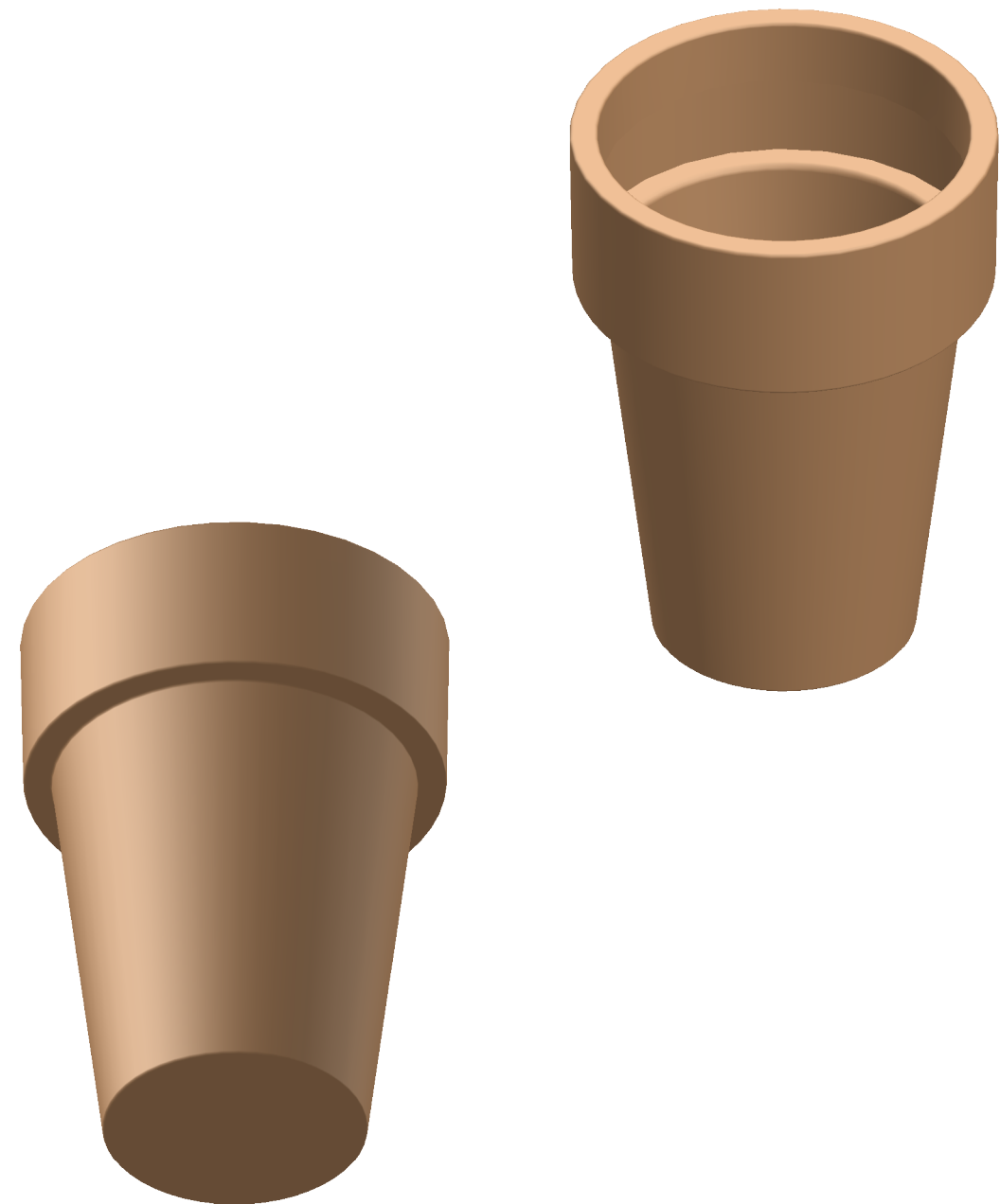
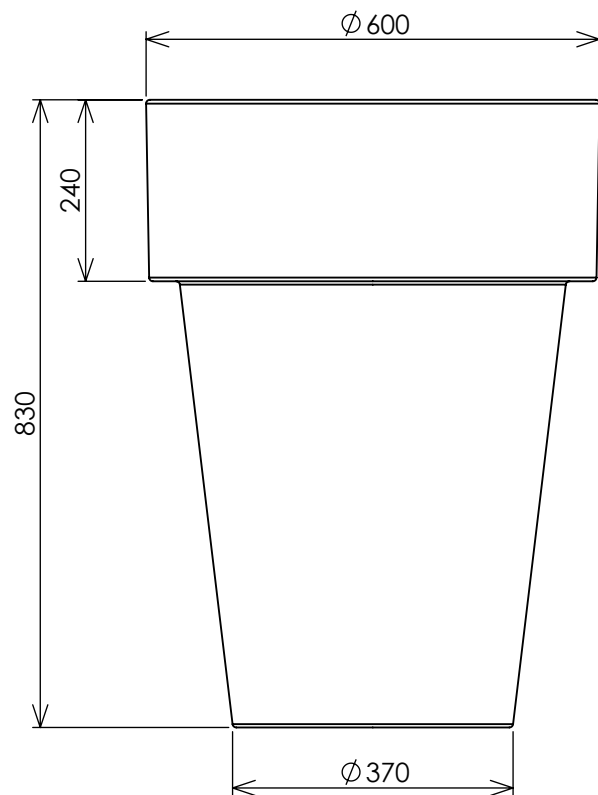
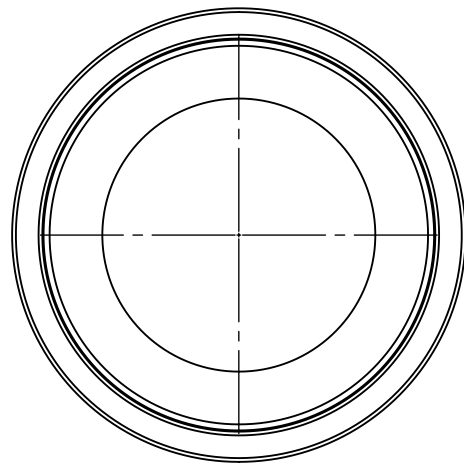
C

B

B

A

A



APPROVED		
DEPARTMENT	SIGNATURE	DATE

NOTES:

DESCRIPTION: Flower Pot

DRAWING NO.: Flower Pot

DATE MODIFIED: Wednesday, 03 June 2020 13:22:06

	SIZE: A3	REVISION: 1	ALL DIMENSIONS IN MILLIMETERS
	SCALE: 1:10	SHEET: 1 OF 1	

HERO *Urban*

Address: 13 Pillans Street, Chamdor, Johannesburg, South Africa
 Tel: +27(0) 11 769 2738
 Email: orders@heroroto.co.za
 Website: www.heroroto.co.za

8 7 6 5 4 3 2 1