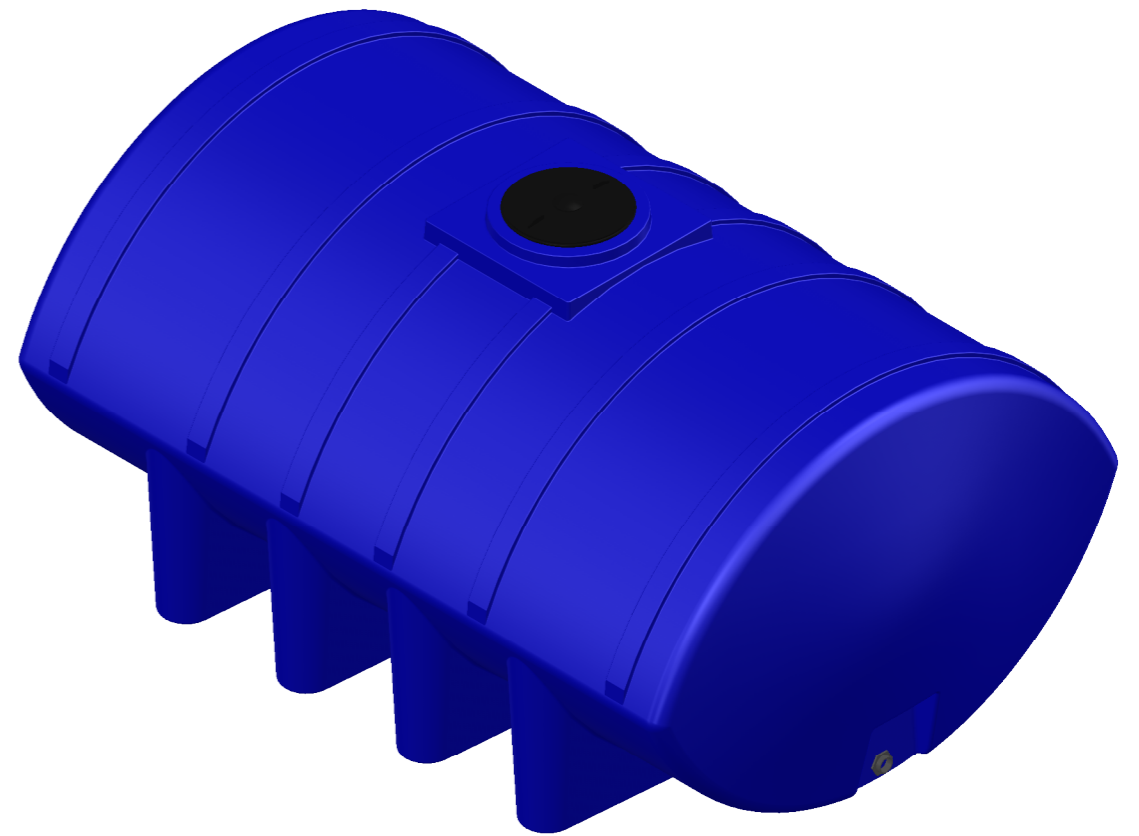
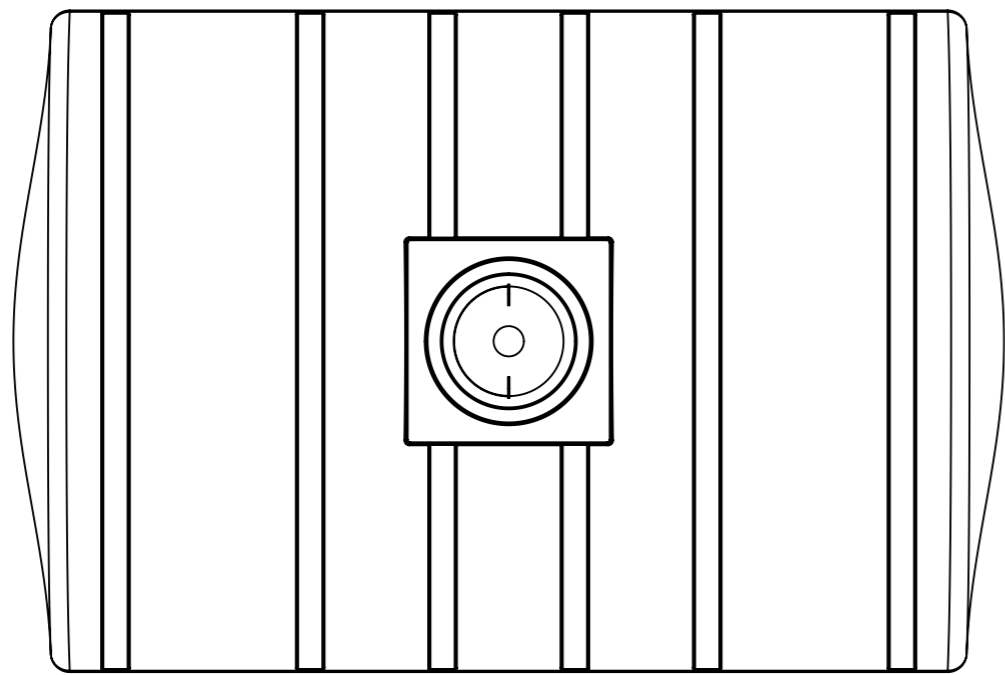


8 7 6 5 4 3 2 1

F

F

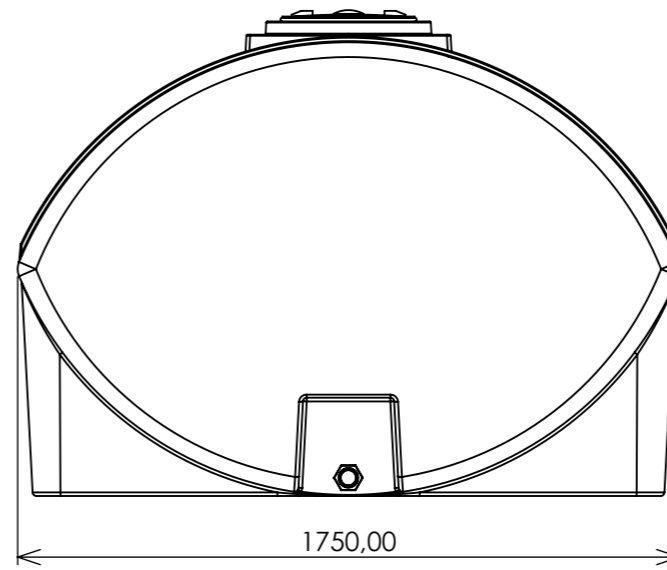
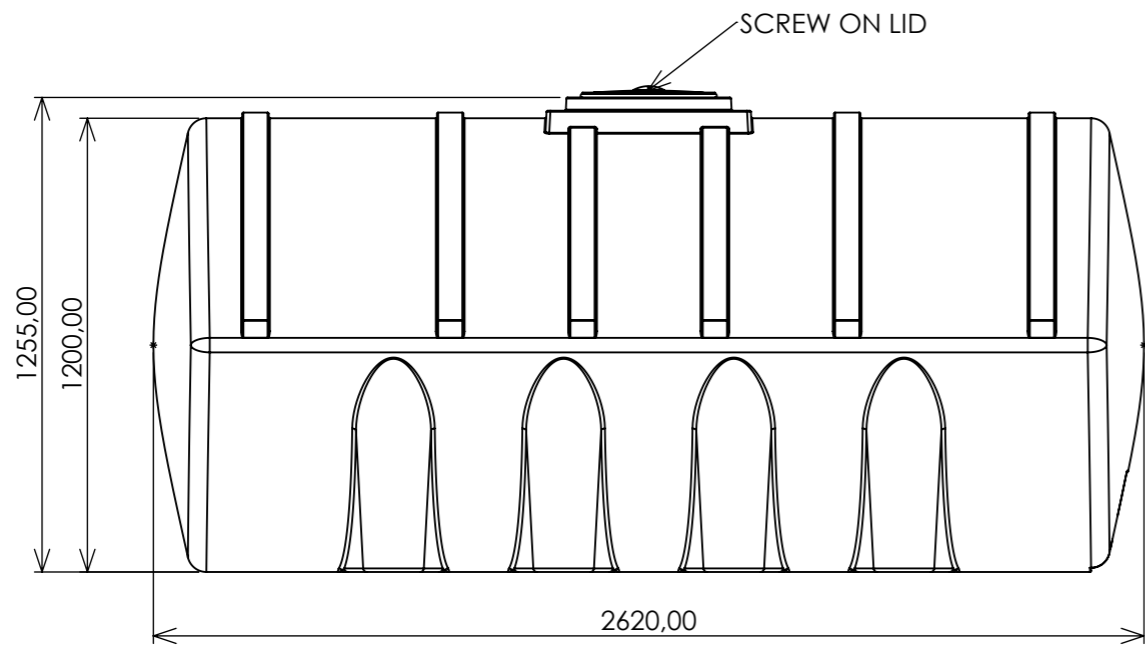


E

E

D

D



C

C

B

B

| APPROVED | | |
|------------|-----------|------|
| DEPARTMENT | SIGNATURE | DATE |
| | | |
| | | |
| | | |
| | | |

NOTES:

- MATERIAL: LLDPE
- AVAILABLE IN MULTIPLE COLOURS.
- CHEMICAL OR WATER STORAGE
- WEIGHTS WILL VARY DEPENDING ON USE OR REQUEST.
- SIZES MAY VARY SLIGHTLY.
- FITTINGS TO CLIENT REQUEST.

| | | |
|--|--------------------|----------------------|
| DESCRIPTION: 3500Ltr Horizontal Tank | | |
| DRAWING NO.: 3500Ltr Horizontal Tank | | |
| DATE MODIFIED: Tuesday, 28 July 2020 13:06:11 | | |
| | SIZE: A3 | REVISION: 1 |
| | SCALE: 1:20 | SHEET: 1 OF 1 |
| ALL DIMENSIONS IN MILLIMETERS | | |

HERO ROTO

Address: 13 Pillans Street, Chamdor, Johannesburg, South Africa

Tel: +27(0) 11 769 2738

Email: grant@heroroto.co.za

Website: www.heroroto.co.za

A

A

8 7 6 5 4 3 2 1