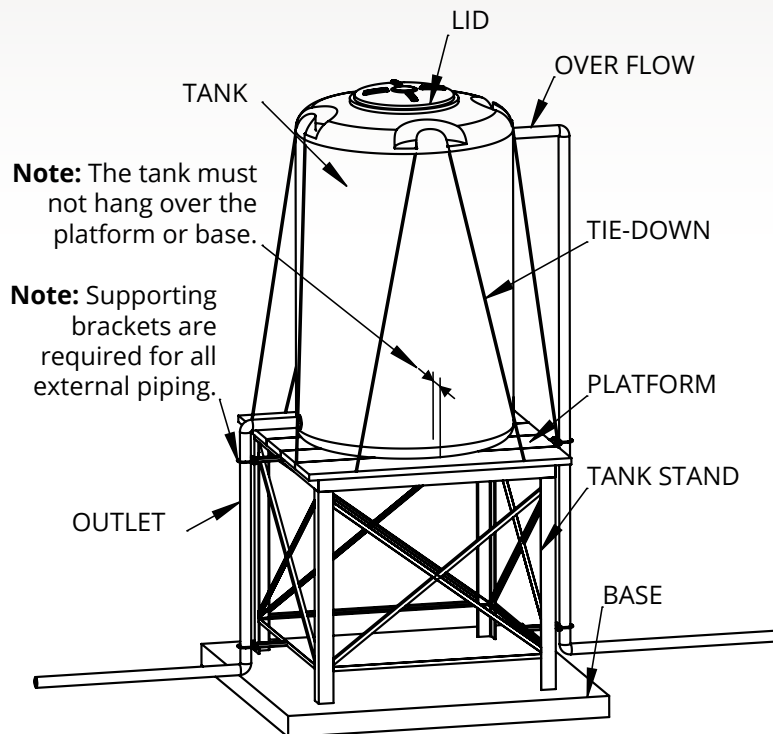


Vertical Tank INSTALLATION GUIDE



How to install a HERO ROTO Tank:

- 1) A level surface is required, both on the platform and the base.
- 2) The platform and or base must be level, firm and free of any sharp objects.
- 3) Tank stand slats/gaps may not exceed 100mm.
- 4) The tank should be correctly secured, using the tie-down areas provided. The tie down should be tight enough to secure the tank when empty but should not be over tightened to cause distortion of the tank.
- 5) The fittings need to be tightened properly using adequate thread tape.
- 6) The inlet and outlet piping needs to be properly supported & secured to prevent excessive movement and ensure minimal force on the tank.