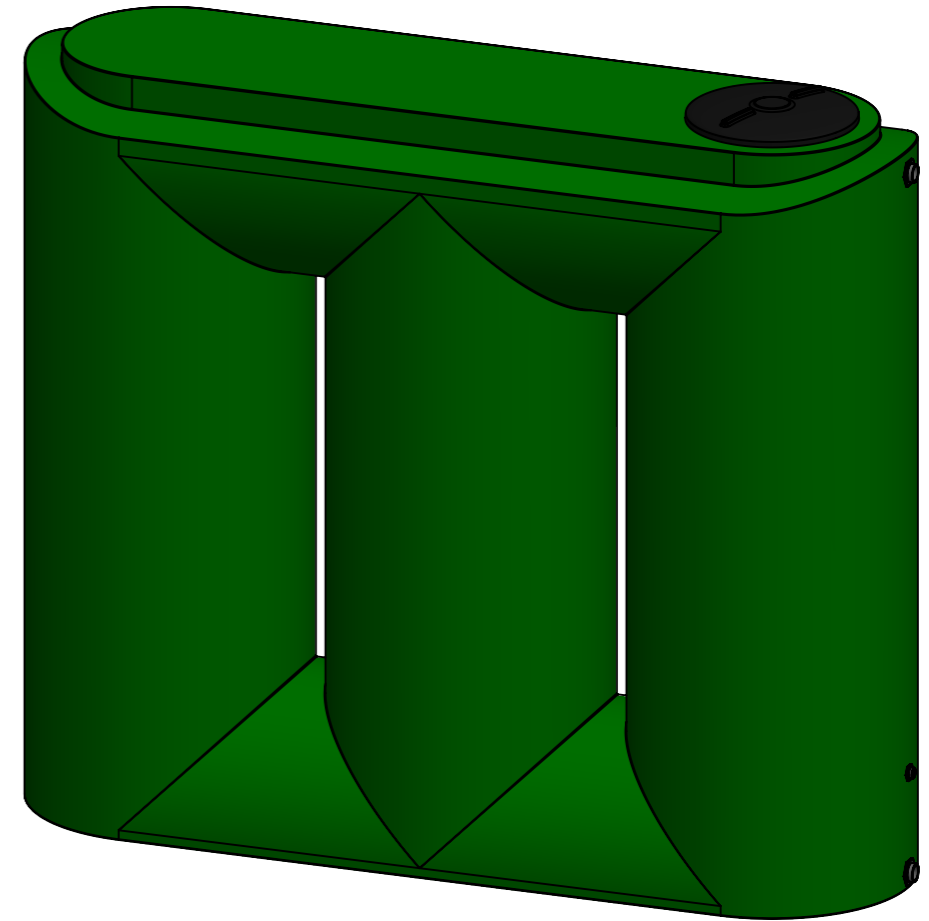
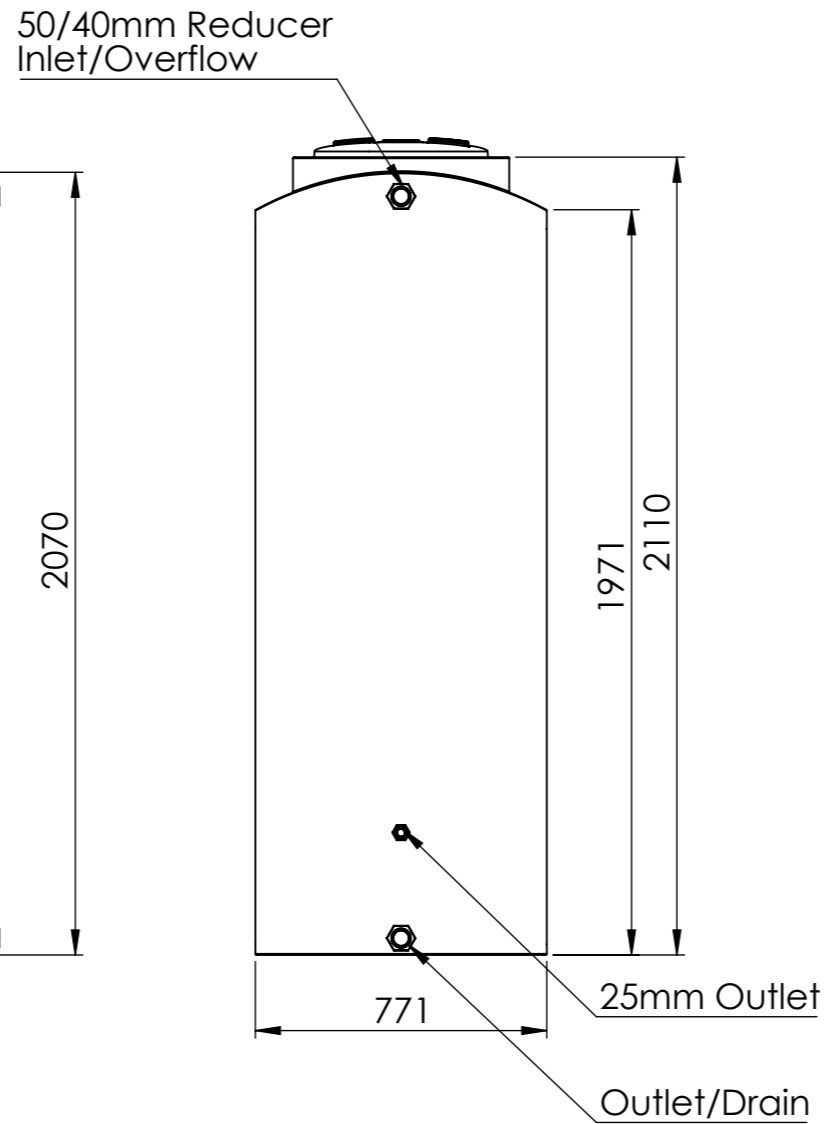
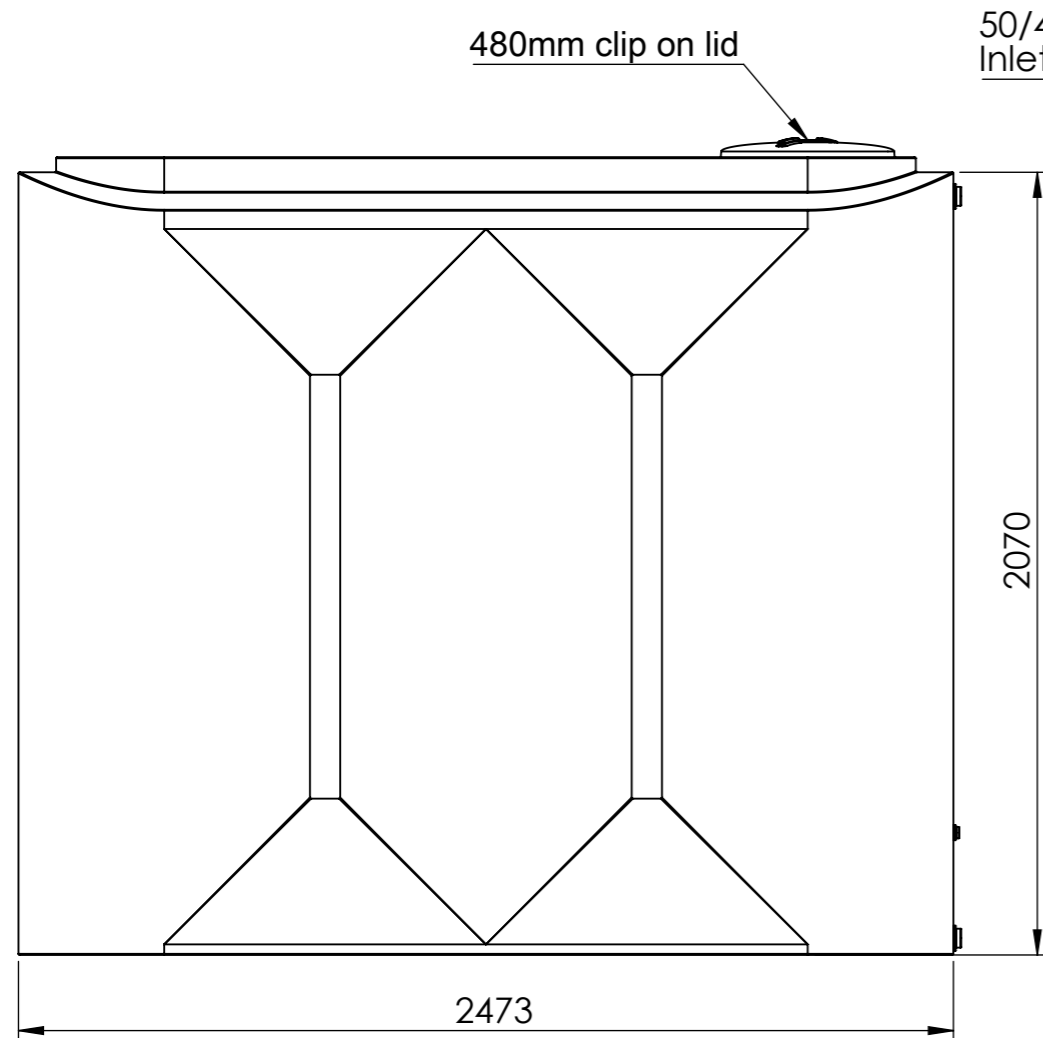
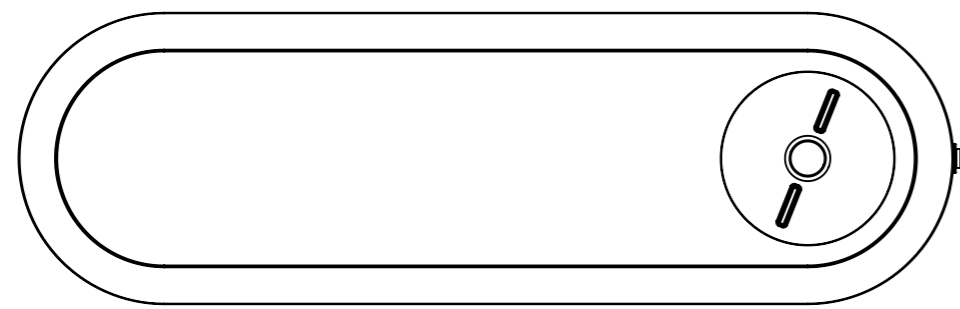


8 7 6 5 4 3 2 1

F

F



D

D

C

C

B

B

APPROVED		
DEPARTMENT	SIGNATURE	DATE

NOTES:

- MATERIAL: LLDPE
- AVAILABLE IN MULTIPLE COLOURS.
- CHEMICAL OR WATER STORAGE
- WEIGHTS WILL VARY DEPENDING ON USE OR REQUEST.
- SIZES MAY VARY SLIGHTLY.
- FITTINGS TO CLIENT REQUEST.

DESCRIPTION: 3330L tank			
DRAWING NO.: 019-J005-R2-3330L tank			
DATE MODIFIED: Saturday, 15 July 2023 09:02:22			
	SIZE: A3	REVISION: 1	ALL DIMENSIONS IN MILLIMETERS
	SCALE: 1:20	SHEET: 1 OF 1	

HERO ROTO

Address: 13 Pillans Street, Chamdor, Johannesburg, South Africa
Tel: +27(0) 11 769 2738
Email: grant@heroroto.co.za
Website: www.heroroto.co.za

A

A

8 7 6 5 4 3 2 1