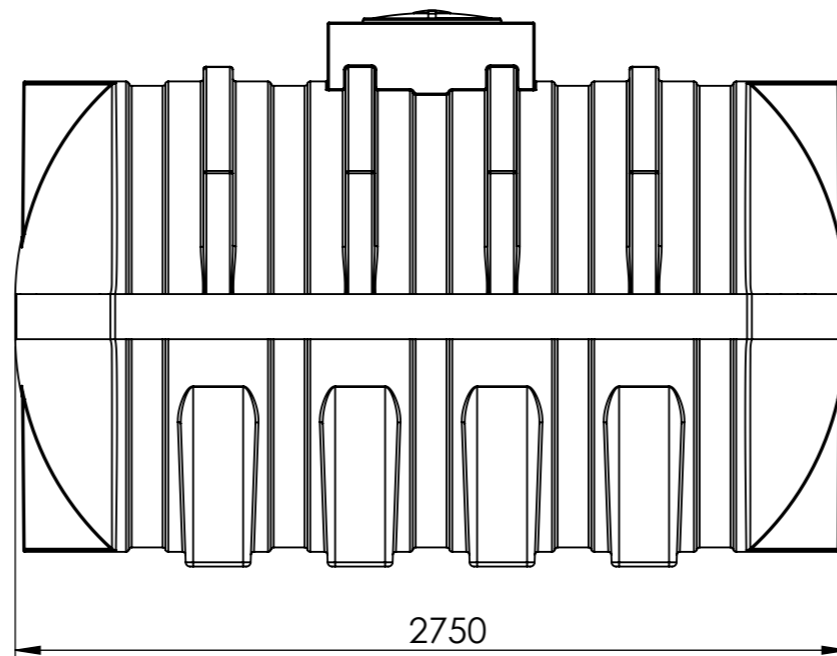
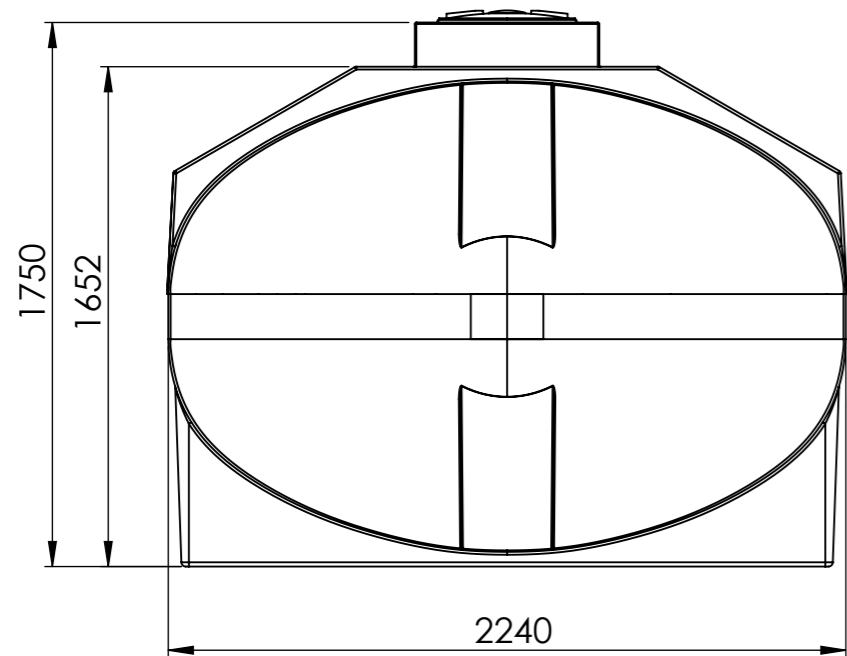
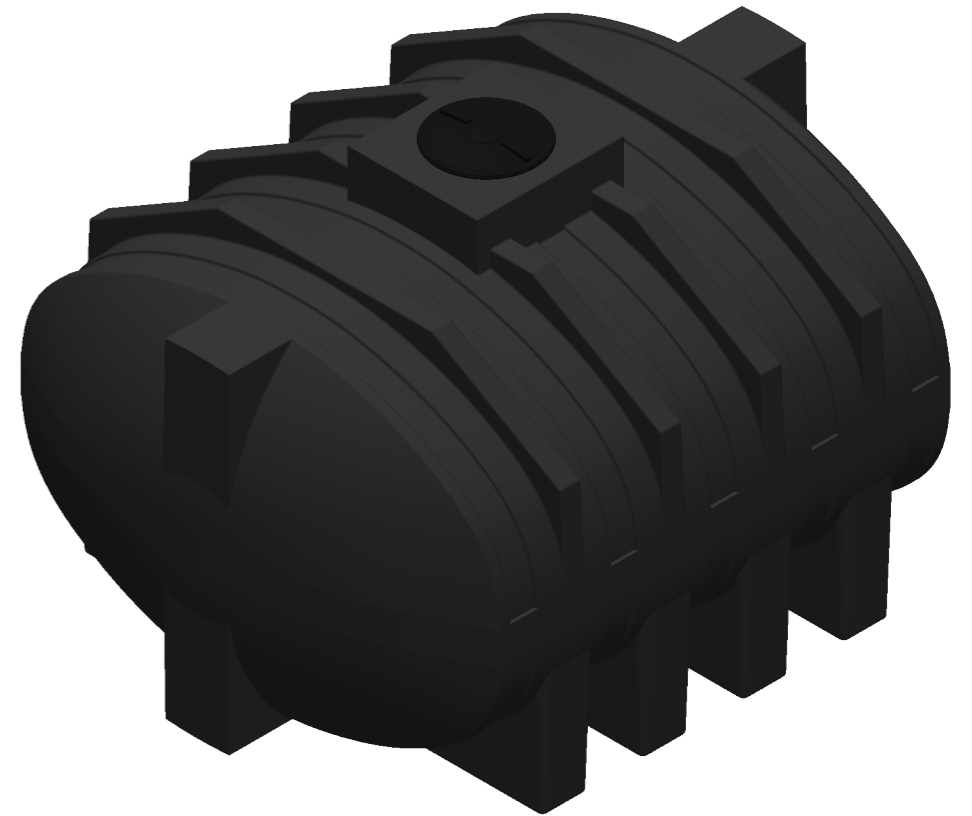
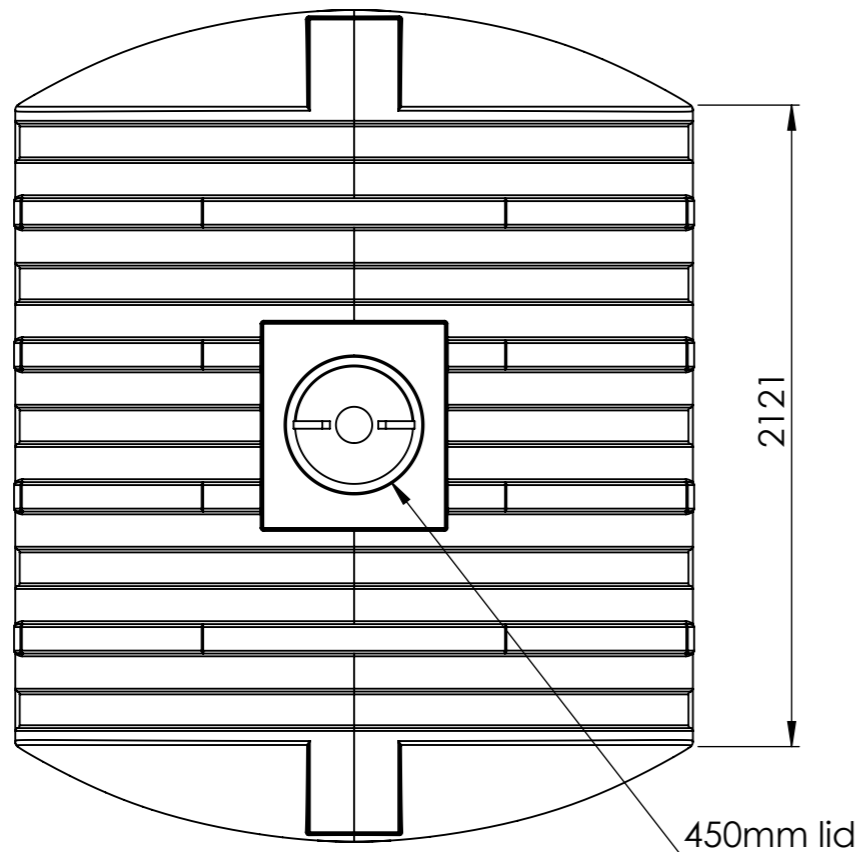



8 7 6 5 4 3 2 1



APPROVED		
DEPARTMENT	SIGNATURE	DATE

**NOTES:**

- MATERIAL: LLDPE
- AVAILABLE IN MULTIPLE COLOURS.
- CHEMICAL OR WATER STORAGE
- WEIGHTS WILL VARY DEPENDING ON USE OR REQUEST.
- SIZES MAY VARY SLIGHTLY.
- FITTINGS TO CLIENT REQUEST.

<b>DESCRIPTION:</b> 5500L horizontal tank		
<b>DRAWING NO.:</b> 5500L horizontal tank-R2		
<b>DATE MODIFIED:</b> Thursday, 20 March 2025 10:02:32		
	<b>SIZE:</b> A3 <b>SCALE:</b> 1:25	<b>REVISION:</b> 1 <b>SHEET:</b> 1 OF 1
ALL DIMENSIONS IN MILLIMETERS		

**HERO ROTO** 

**Address:** 13 Pillans Street,  
Chamdor, Johannesburg,  
South Africa

**Tel:** +27(0) 11 769 2738  
**Email:** grant@heroroto.co.za  
**Website:** www.heroroto.co.za

8 7 6 5 4 3 2 1